

Press Tool Assembly

In this project, you will create the Press Tool assembly shown in Figure 1. The exploded state of the assembly is shown in Figure 2 and the dimensions of the components of the Press Tool assembly are shown in Figures 2 through 5.

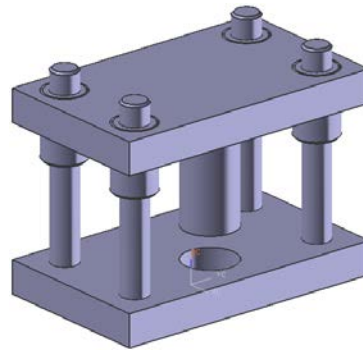


Figure 1 The completed Press Tool assembly after assembling the Top Plate with the assembly

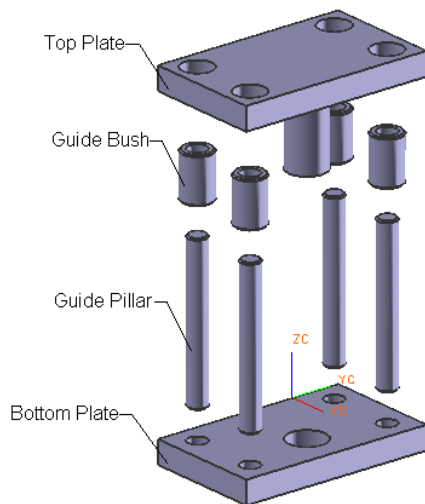


Figure 2 The exploded view of the Press Tool assembly

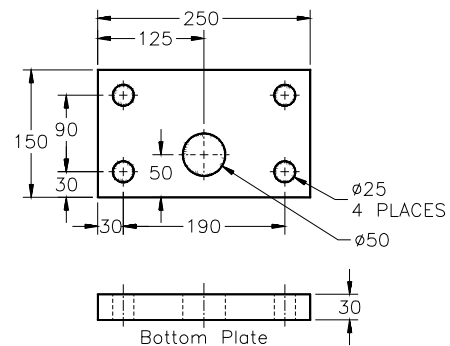


Figure 3 Figure showing the Bottom Plate

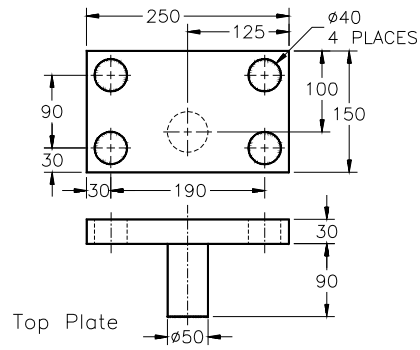


Figure 4 Dimensions and views of the Top Plate

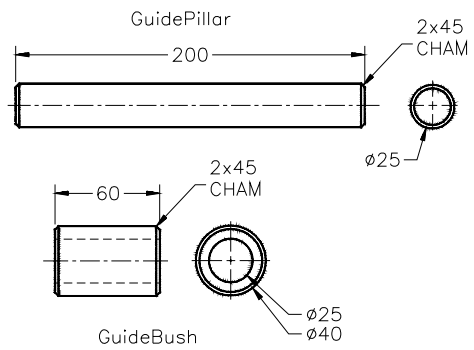


Figure 5 Dimensions and views of the Guide Pillar and Guide Bush